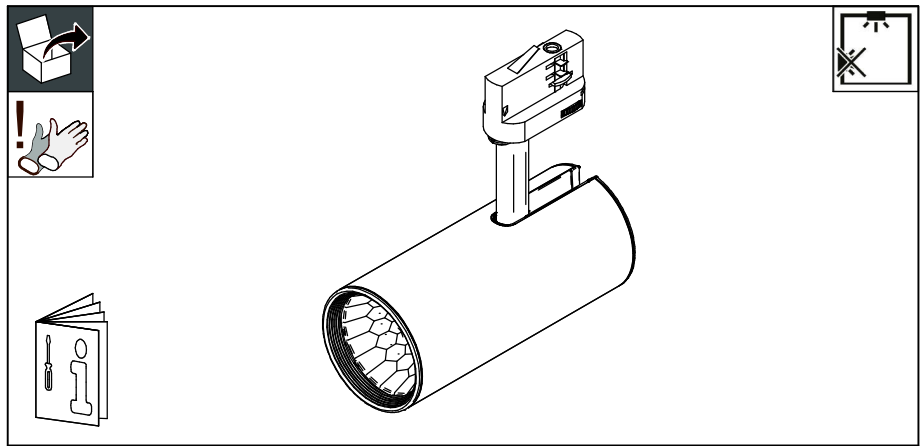


PHILIPS

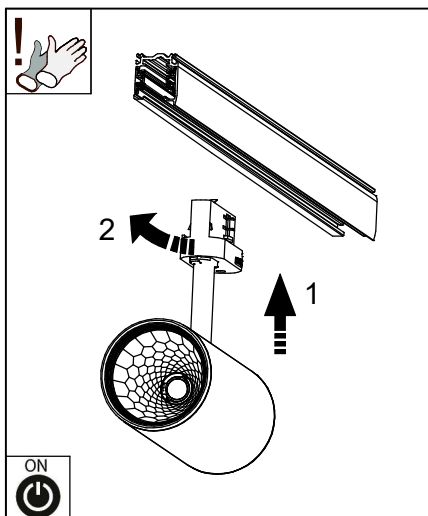
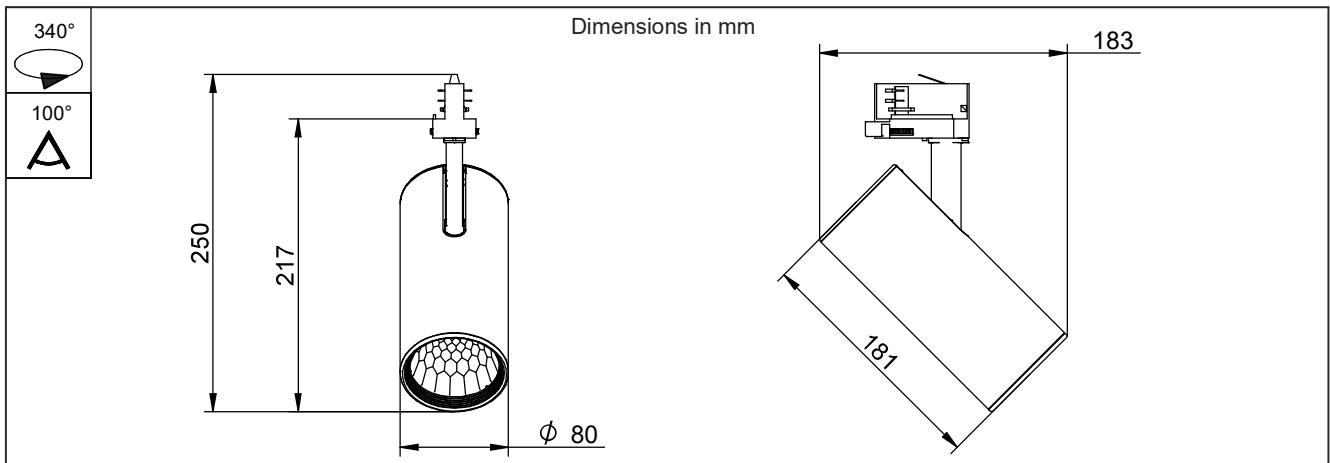
GSA Projector Mini

ST315TI



ST315T	Lumen package	Color temperature [K]	Weight	Driver type
	LED17S	FMT		0.75
LED20S	827 / 830 / 840 / PC930 / DNM / PW930 / PW935 / PW940		0.75	PSU / PSD
LED24S	PC930 / DNM		0.75	PSD
LED27S	PC930 / DNM		0.75	PSU
LED27S	827 / 830 / 840 / PW930 / PW935 / PW940 / CH / FR		0.75	PSU / PSD

Place IPT label here
IPT címkét ide helyez



LUMINAIRES MUST BE INSTALLED OUT OF ARM REACH DISTANCE/HEIGHT!
 THE SPOT HEAD CAN BE PERCEIVED AS HOT.
 ADJUST THE SPOTHEAD AFTER THE LUMINAIRE IS COOLED DOWN OR WHEN USING HEAT INSULATING GLOVES.
 LUMINAIRE CAN NOT BE OPENED, LIGHTSOURCE CAN NOT BE REPLACED!

⚠

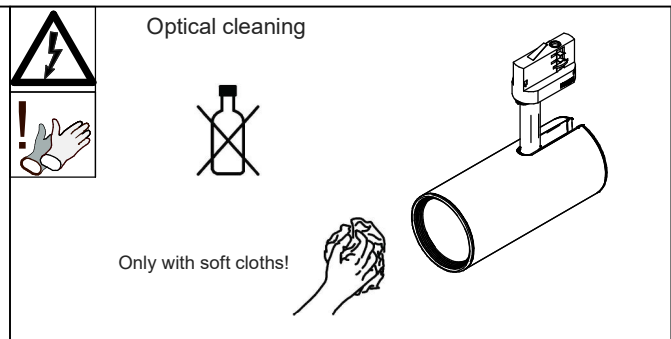
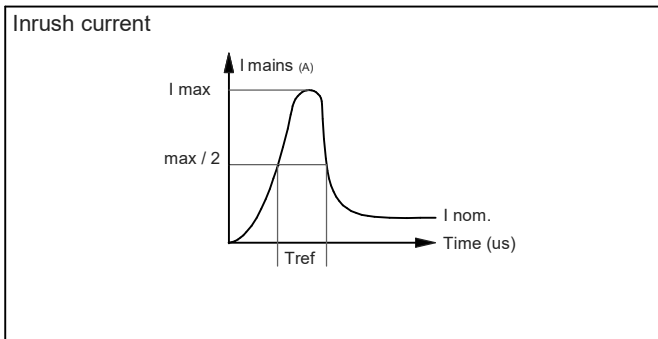
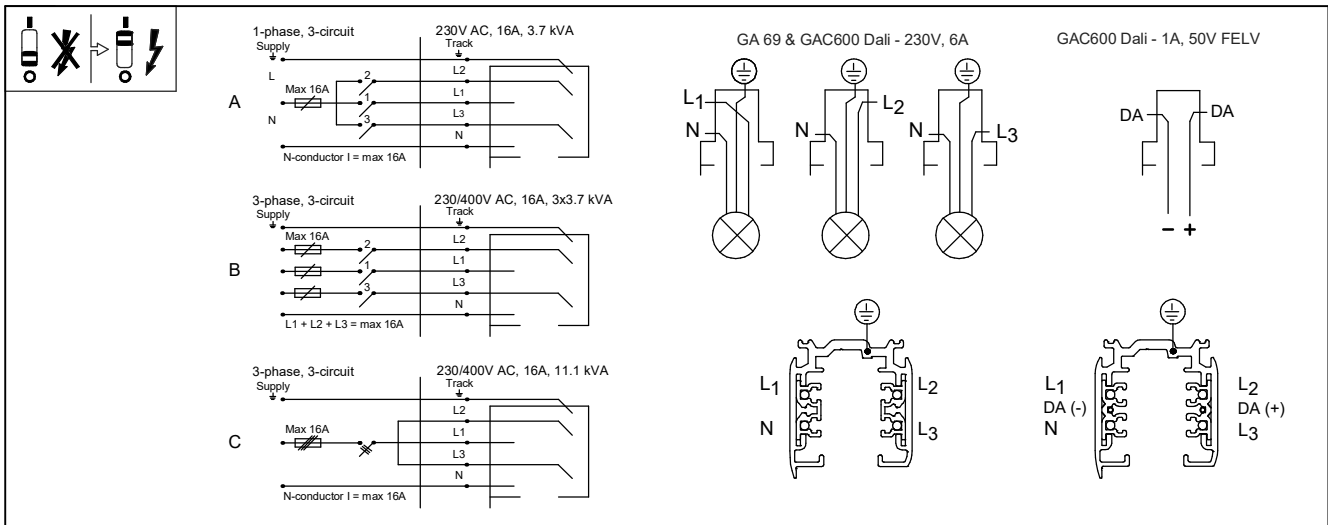
⊘

⊘

⊘

⊘

⊘



PSU	$I_{nom.}$ (A)	I_{max} (A)	T_{ref} (us)	Max. no. product on MCB				PSD	$I_{nom.}$ (A)	I_{max} (A)	T_{ref} (us)	Max. no. product on MCB					
				B-10A	B-16A	C-10A	C-16A					B-10A	B-16A	C-10A	C-16A		
LED17S	FMT	0.113	18.0	250	21	34	35	57	LED17S	FMT	0.107	18.0	250	18	30	31	57
LED20S	827/830/840	0.086	6.1	310	21	34	35	57	LED20S	827/830/840	0.085	18.0	250	18	30	31	57
	PC930	0.102	6.1	310	21	34	35	57		PC930	0.109	18.0	250	18	30	31	57
	DNM	0.102	6.1	310	21	34	35	57		DNM	0.109	18.0	250	18	30	31	57
	PW930	0.102	6.1	310	21	34	35	57		PW930	0.102	18.0	250	18	30	31	57
	PW935	0.102	6.1	310	21	34	35	57		PW935	0.104	18.0	250	18	30	31	57
	PW940	0.102	6.1	310	21	34	35	57	PW940	0.104	18.0	250	18	30	31	57	
LED27S	PC930	0.130	18.0	250	18	30	31	51	LED24S	PC930	0.113	18.0	250	18	30	31	57
	DNM	0.130	18.0	250	18	30	31	51		DNM	0.113	18.0	250	18	30	31	57
	827/830/840	0.104	6.1	310	21	34	35	57	LED27S	827/830/840	0.104	18.0	250	18	30	31	57
	CH	0.104	6.1	310	21	34	35	57		CH	0.104	18.0	250	18	30	31	57
	FR	0.104	6.1	310	21	34	35	57		FR	0.104	18.0	250	18	30	31	57
	PW930	0.124	18.0	250	21	34	35	57		PW930	0.117	18.0	250	18	30	31	57
	PW935	0.115	18.0	250	21	34	35	57		PW935	0.111	18.0	250	18	30	31	57
	PW940	0.113	18.0	250	21	34	35	57		PW940	0.109	18.0	250	18	30	31	57

© 2019, Signify Holding
 All rights reserved. This document contains information relating to the product portfolio of Signify which information may be subject to change. No representation or warranty as to the accuracy or completeness of the information included herein is given and any liability for any action in reliance thereon is disclaimed. The information presented in this document is not intended as any commercial offer and does not form part of any quotation or contract. Philips and the Philips Shield Emblem are registered trademarks of Koninklijke Philips N.V.. All other trademarks are owned by Signify Holding or their respective owners.

Signify Holding.
 The Netherlands

